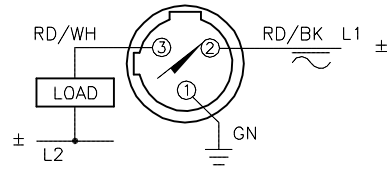
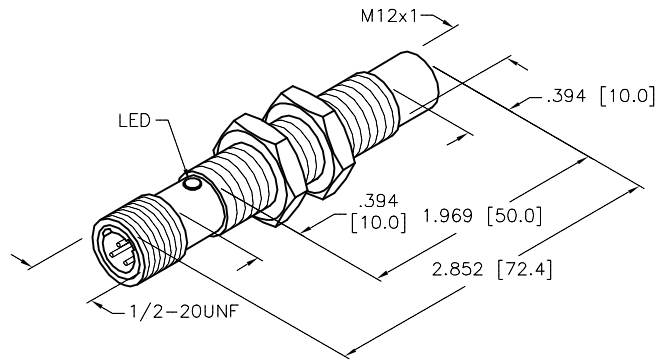


WIRING DIAGRAM



OUTPUT: ADZ32X

SHORT-CIRCUIT AND OVERLOAD PROTECTED



SPECIFICATIONS

OPERATING VOLTAGE	20-250 VAC, 10-300 VDC
LINE FREQUENCY	40-60 Hz
HYSTERESIS	3-15% (5% TYPICAL)
VOLTAGE DROP ACROSS CONDUCTING SENSOR	≤ 6.0 V at 100 mA
OUTPUT FUNCTION	NORMALLY OPEN 2-WIRE AC/DC
SHORT-CIRCUIT PROTECTED	YES
CONTINUOUS LOAD CURRENT	≤ 100 mA
TRIGGER CURRENT FOR OVERLOAD PROTECTION	≥ 220 mA
RESIDUAL CURRENT	≤ 1.7 mA
MINIMUM LOAD CURRENT	≥ 3.0 mA
INRUSH CURRENT	≤ 1.0 A (≤ 30 ms, 15% DUTY CYCLE)
TIME DELAY BEFORE AVAILABILITY	≤ 60 ms
POWER-ON EFFECT	Per IEC 947-5-2
TRANSIENT PROTECTION	Per EN 60947-5-2
OPERATING TEMPERATURE	-25°C to +70°C (-13°F to +158°F)
ENCLOSURE	MEETS NEMA 1, 3, 4, 6, 13 AND IEC IP 67
SHOCK	30 g, 11 ms
VIBRATION	55 Hz, 1 mm AMPLITUDE (IN ALL 3 PLANES)
LED FUNCTION	RED: OUTPUT ENERGIZED RED FLASHING = OUTPUT ENERGIZED
RATED OPERATING DISTANCE(Sn)	8 mm = .315" (NOMINAL)
SWITCHING FREQUENCY	20 Hz
REPEATABILITY	≤ 2% of RATED OPERATING DISTANCE
EMBEDDABLE (SHIELDED)	NO
TEMPERATURE DRIFT	<-15/+10%
LOCKNUT M12x1	17 mm AF, 19.5 mm AC, 4 mm THK
MATING PLUGS/CABLES	3-PIN "MICROFAST" CONSTRUCTION

SOURCE DRAWING - FOR REFERENCE ONLY

NOTE:

MATERIALS:

BARREL - CHROME PLATED BRASS
 LOCKNUTS - CHROME PLATED BRASS
 CONNECTOR - CHROME PLATED BRASS
 SENSING FACE - PA12-G30 PLASTIC

RELATED DOCUMENTS 1. 2. 3. 4.	3RD ANGLE PROJECTION 	THIS DRAWING IS CONFIDENTIAL AND THE PROPERTY OF TURCK INC. USE OF THIS DOCUMENT WITHOUT WRITTEN PERMISSION IS PROHIBITED.		TURCK IAC High Technology Sensors and Automation Controls 3000 CAMPUS DRIVE MINNEAPOLIS, MN 55441 1-800-544-7769 (763) 553-7300 (763) 553-0708 fax turck.com	
	MATERIAL SEE NOTE	DRFT IK APVD	DATE 03/12/01 SCALE 1=2.0	DESCRIPTION Ni 8-G12-ADZ32X-B3131	
FINISH SEE NOTE	ALL DIMENSIONS DISPLAYED ON THIS DRAWING ARE FOR REFERENCE ONLY CONTACT TURCK FOR MORE INFORMATION	UNIT OF MEASUREMENT INCH [MILLIMETER]		IDENTIFICATION NO. T4205401	REV B
B UPDATE SWITCHING FREQUENCY SPEC.	RDS 03/20/13	41657	DO NOT SCALE THIS DRAWING		
REV DESCRIPTION	BY	DATE	ECO NO.	FILE: T4205401	SHEET 1 OF 1